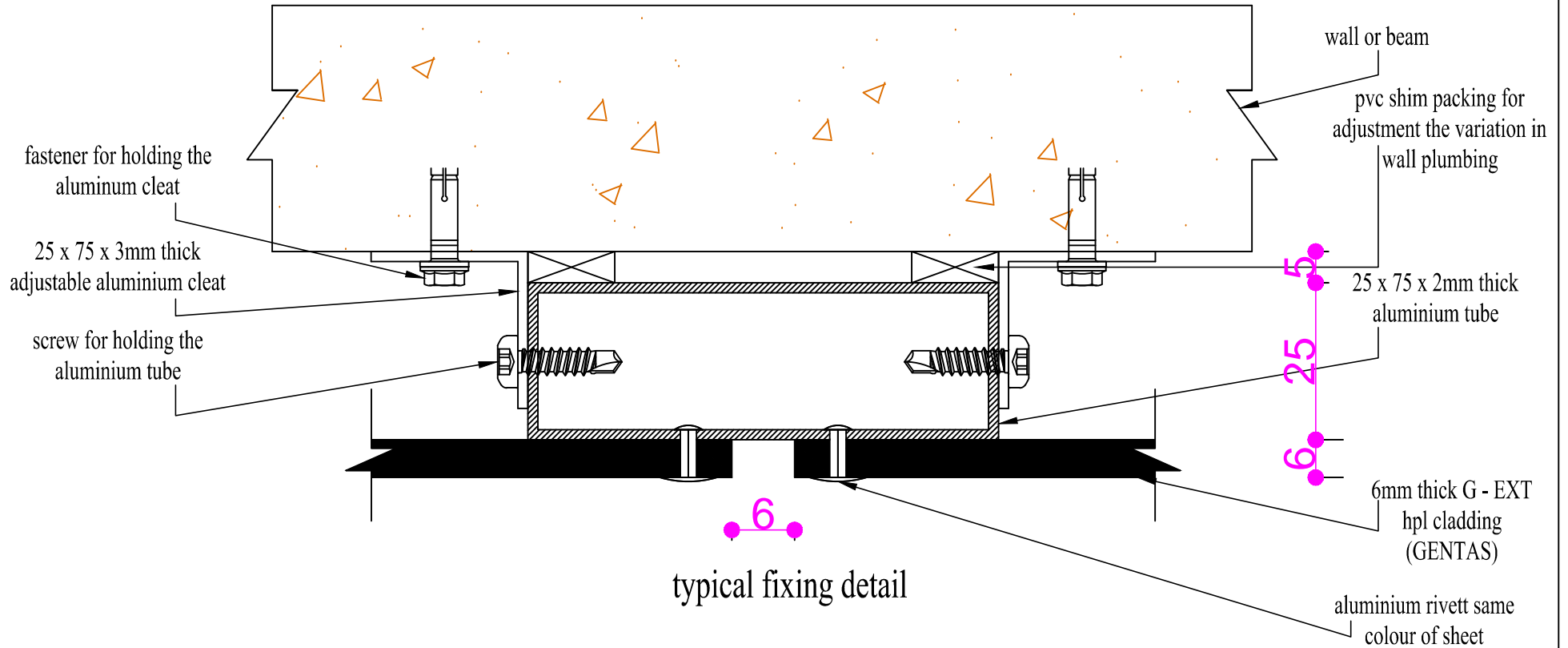


Note :- At every 1.6 feet vertical interval aluminium tube size will be 25 x 38 x 2 mm thick.
 At every grooves junction & at corners aluminium tube size will be 25 x 75 x 2 mm thick.



typical fixing detail

Scale: Not to Scale	Dated: 24/07/13	PROJECT NAME :	CLIENT NAME :	ARCHITECT'S NAME :	DRAWING TITLE :	HPL CONTRACTOR :
DETAIL BY : MAYANK	STATUS : DRAWING				TYPICAL FIXING DETAIL	APAAR INFRATECH PVT. LTD. B-92, Sector 63, Gurgaon, Haryana Tel: + 91 120 4090900 Fax: +91 120 4090901 Web: www.apaar.in E mail: - info@apaar.in